



Auxiliary Oil Pump (ZÖP)

1. Application

Start-Stop-Transmission Gear



2. Product description

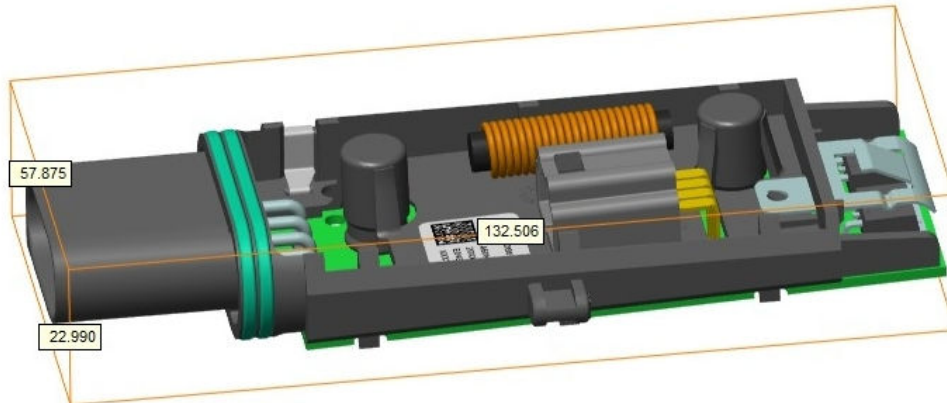
With this auxiliary oil pump the pressure of the oil within the automatic gear transmission can be held during the start-stop phase of the combustion engine. The output current of the auxiliary oil pump is dependent of the scheduled value. Dependent on the current control this results in a proportional coefficient of the scheduled value together with the close fitting of the gear pressure.

3. Technical data

- Supply voltage range 9V - 18V
- Maximum output circuit 8,5A
- CAN 2.0B Interface with 500kBaud
- Nominal temperature range -40°C to +120°C
- Output short-circuit proofed



4. Dimensions



L x W x H: 132,5 x 57,9 x 23,0 (mm)

5. Function description

- Error detection including alarm message
- Supply voltage error (Excess - and low voltage)
- Low voltage electrical charge pump
- Semiconductor failure
- Short circuit
- Cable break
- Excess temperature
- Engine idle identification (Leakage)
- CAN specific error

Our products are subject to a constant development process. Rights regarding changes in the product line, the manufacture, the performance characteristics and the application areas are reserved. Solely the specifications / the contract text or the order confirmation are definitive.

HKR Automotive GmbH

Am Wasserturm 21 · 74635 Kupferzell

Telefon: +49 7944 94399-0
Telefax: +49 7944 94399 -50

info@hkr-automotive.de
www.hkr-automotive.de